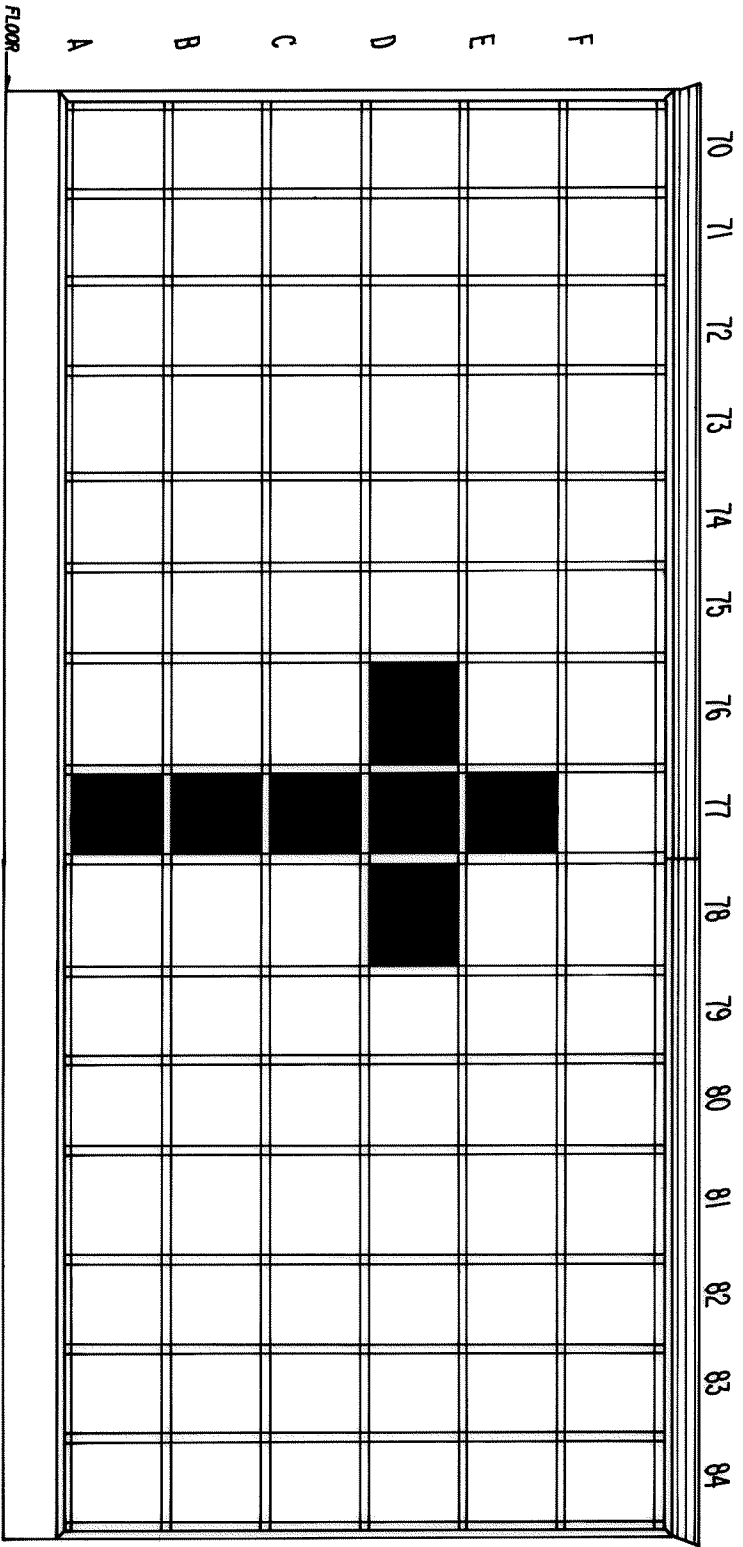


NOTE:
 ALL CRYPTS ARE DESIGNATED AND LOCATED BY ROW NUMBER AND TIER LETTER IN THEIR RESPECTIVE AISLE. FOR EXAMPLE: CRYPT 104-B IN HOLY FAMILY AISLE WOULD BE LOCATED IN ROW 104 AND TIER B. SARCOPHAGI ROWS ARE NUMBERED 1 THRU 13. COLUMBARIUM ROWS ARE NUMBERED 45 THRU 63. ALL CRYPTS AND SARCOPHAGI ARE 30 1/2" W. X 28" H. X 87" L. ALL 20, 30, 50, 50 SERIES COLUMBARIUMS ARE 17 1/2" W. X 17 1/2" H. X 9 1/2" L. ALL 40 & 60 SERIES COLUMBARIUMS ARE 10 1/2" W. X 10 1/2" H. X 10 1/2" L.

SUMMARY
 1044 SINGLE CRYPTS
 432 DOUBLE CRYPTS
 24 SARCOPHAGI
 216 COLUMBARIUMS
 1718 TOTAL UNITS

HOLY CROSS CEMETERY
 SECTION 28
 HOLY FAMILY GARDEN CRYPT
 SCALE: 1"=15'
 S.R. - O.R. 10-28-81



NORTH NAZARETH AISLE

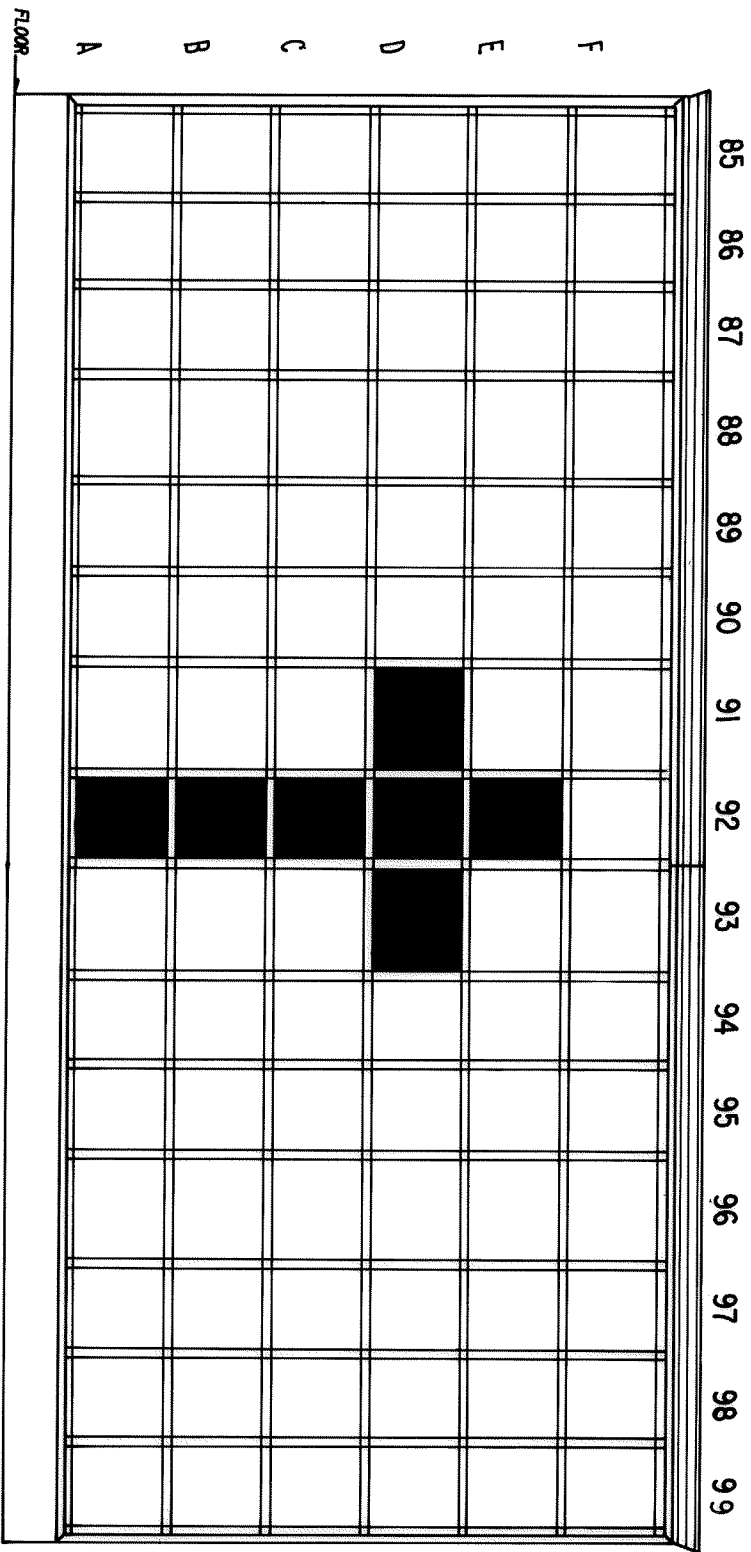
NOTE :
 ALL NICHEs ARE DESIGNATED
 AND LOCATED BY ROW NUMBER
 AND TIER LETTER IN THEIR RE-
 SPECTIVE AISLE, ROWS 73, 76,
 78, AND 81 ARE DESIGNATED AS
 DOUBLE CREMATION NICHEs.

DOUBLE CREMATION NICHEs ARE
 14 5/32" W X 11 1/8" H X 11 7/8" L

SINGLE CREMATION NICHEs ARE :
 11 5/8" W X 11 1/8" H X 11 7/8" L

SUMMARY : 24 DOUBLE NICHEs
 66 SINGLE NICHEs
 90 TOTAL UNITS

HOLY CROSS CEMETERY
 CLEVELAND, OHIO
 SECTION 28
 HOLY FAMILY GARDEN CRYPT
 SCALE: 3/4" = 1' BY : JLG



SOUTH NAZARETH AISLE

NOTE :
 ALL NICHERS ARE DESIGNATED
 AND LOCATED BY ROW NUMBER
 AND TIER LETTER IN THEIR RE-
 SPECTIVE AISLE. ROWS 88, 91,
 93, AND 96 ARE DESIGNATED AS
 DOUBLE CREMATION NICHERS.

DOUBLE CREMATION NICHERS ARE:
 14 5/32" W X 11 1/8" H X 11 7/8" L

SINGLE CREMATION NICHERS ARE:
 11 5/8" W X 11 1/8" H X 11 7/8" L

SUMMARY : 24 DOUBLE NICHERS
 66 SINGLE NICHERS
 90 TOTAL UNITS

HOLY CROSS CEMETERY
 CLEVELAND, OHIO
 SECTION 28
 HOLY FAMILY GARDEN CRYPT

SCALE 3/4" = 1' BY : J.G.

	602 I	604 I	606 I			
	602 H	604 H	606 H			
	602 G	604 G	606 G			
	602 F	604 F	606 F			
	602 E	604 E	606 E			
	602 D	604 D	606 D			
	602 C	604 C	606 C			

K

J

I

H

G

F

E

D

C

B

A

601 | 602 | 603 | 604 | 605 | 606 | 607

NOTE:

ALL NICHEs ARE DESIGNATED AND LOCATED BY ROW NUMBER AND TIER LETTER IN THEIR RESPECTIVE AISLE.

ALL DOUBLE NICHEs ARE TO BE NUMBERED AS INDICATED.

DIMENSIONS OF DOUBLE NICHEs ARE:
INTERIOR: 15" x 12 9/16"
CLEAR OPENING: 13 3/8" x 10 15/16"

DIMENSIONS OF SINGLE NICHEs ARE:
INTERIOR: 9" x 12 9/16"
CLEAR OPENING: 7 3/8" x 10 15/16"

ALL NICHEs ARE 11 7/8" INSIDE DEPTH

SUMMARY: 42 SINGLE NICHEs
21 DOUBLE NICHEs
63 TOTAL UNITS

ALL URNs ARE NOT TO EXCEED INTERIOR DIMENSIONS OF DOUBLE OR SINGLE NICHEs AS LISTED ABOVE.

HOLY CROSS CEMETERY
BROOK PARK, OHIO
HOLY FAMILY MAUSOLEUM
SOUTH NAZARETH AISLE

	729 I	731 I	733 I		
	729 H	731 H	733 H		
	729 G	731 G	733 G		
	729 F	731 F	733 F		
	729 E	731 E	733 E		
	729 D	731 D	733 D		
	729 C	731 C	733 C		

K

J

I

H

G

F

E

D

C

B

A

728 | 729 | 730 | 731 | 732 | 733 | 734

NOTE:

ALL NICHEs ARE DESIGNATED AND LOCATED BY ROW NUMBER AND TIER LETTER IN THEIR RESPECTIVE AISLE.

ALL DOUBLE NICHEs ARE TO BE NUMBERED AS INDICATED.

DIMENSIONS OF DOUBLE NICHEs ARE:
INTERIOR: 15" x 12 9/16"
CLEAR OPENING: 13 3/8" x 10 15/16"

DIMENSIONS OF SINGLE NICHEs ARE:
INTERIOR: 9" x 12 9/16"
CLEAR OPENING: 7 3/8" x 10 15/16"

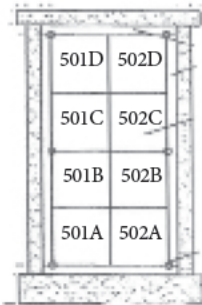
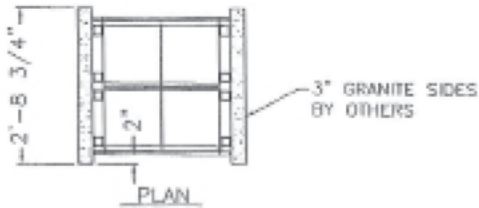
ALL NICHEs ARE 11 7/8" INSIDE DEPTH

SUMMARY: 42 SINGLE NICHEs
21 DOUBLE NICHEs
 63 TOTAL UNITS

ALL URNs ARE NOT TO EXCEED INTERIOR DIMENSIONS OF DOUBLE OR SINGLE NICHEs AS LISTED ABOVE.

HOLY CROSS CEMETERY
 BROOK PARK, OHIO
HOLY FAMILY MAUSOLEUM
 SOUTH WING

Nazareth Center Aisle



EAST

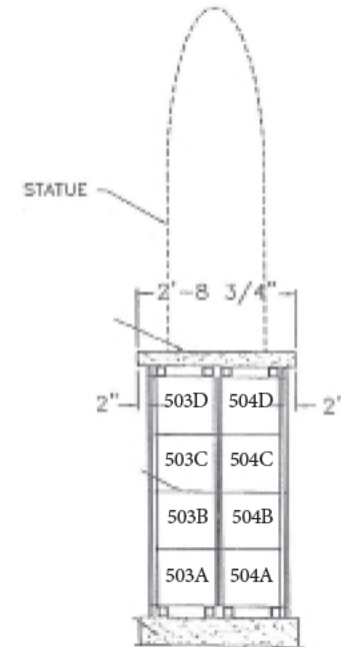
8 NICHE PER SIDE
16 NICHE PER SECTION
4 SECTIONS OF 16 NICHE = 64 NICHE TOTAL

GRANITE TYPE:
FRONTS: MAHOOGANY

NICHE SIZES (W X H)
QUANT. INTERIOR SIZE CLEAR OPENING
64 12" X 12" 11" X 11 1/4"
ALL NICHE ARE 12" INSIDE DEPTH



Approved Engraving



WEST

SCALE: 1/2"=1'-0"



HOLY CROSS CEMETERY
BROOK PARK, OHIO
HOLY FAMILY MAUSOLEUM
FEATURED NICHE